



06

COMPONENTES PARA PORTAS DE CORRER
COMPONENTS FOR SLIDING DOORS
COMPOSANTS POUR PORTES COULISSANTES

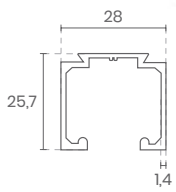




PERFIS E RODÍZIOS

CASTORS AND PROFILES
PROFILS ET ROULETTES

REF \ **74P**



REF \ **1078**

 **80KG**

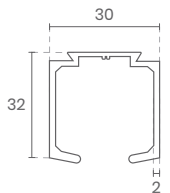
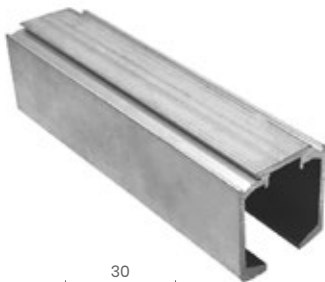


REF \ **1079**

 **80KG**



REF \ **73P**



REF \ **015**

 **80KG**



REF \ **014**

 **80KG**



REF \ **6661** SUPERIOR



REF \ **6662** INFERIOR



REF \ **6665**

 **40KG**

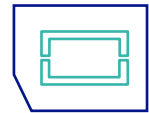




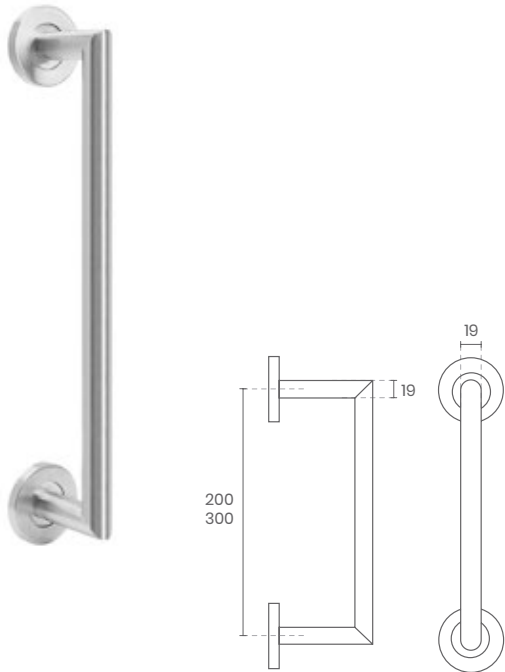
ASAS E CONCHAS

HANDLES AND SHELLS

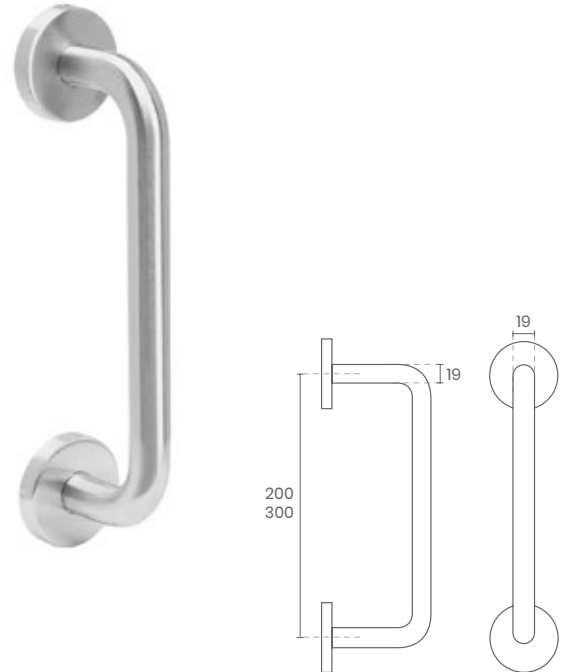
POIGNÉES ET COQUILLES



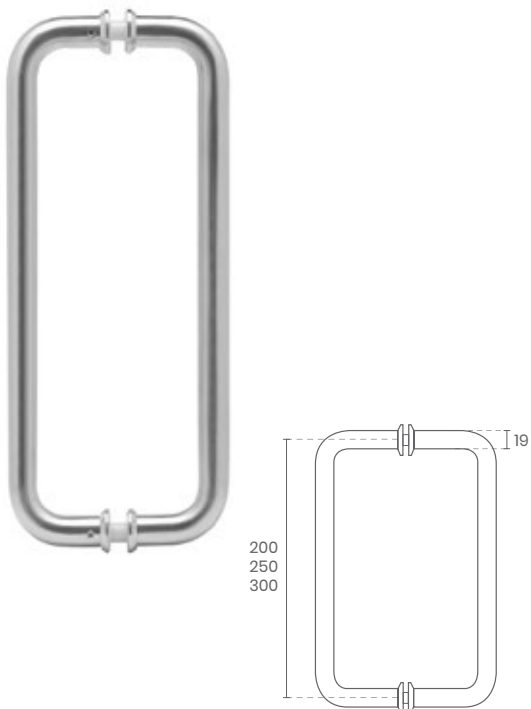
REF \ 40



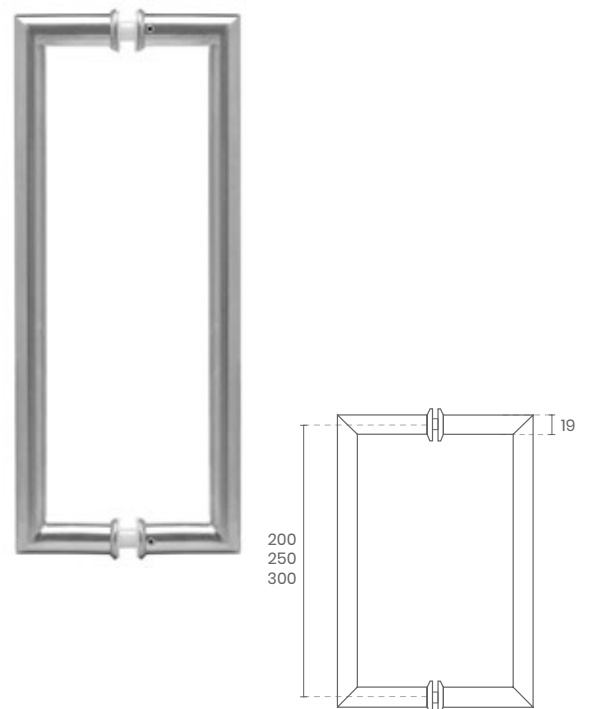
REF \ 39

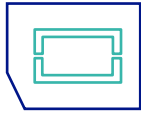


REF \ 01X19

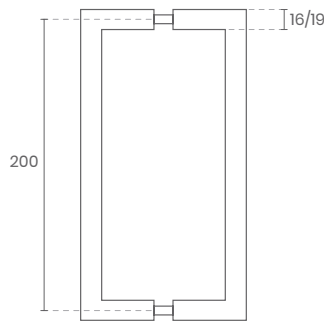


REF \ 09X19

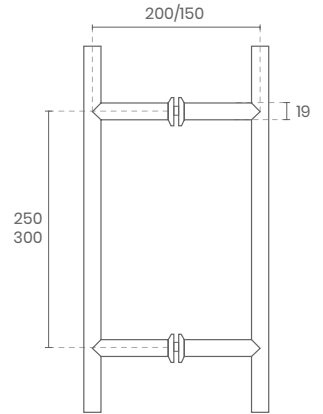




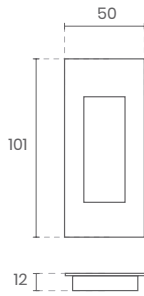
REF \ 09



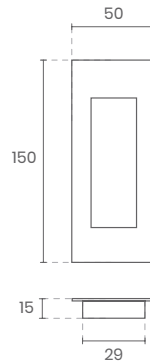
REF \ 03



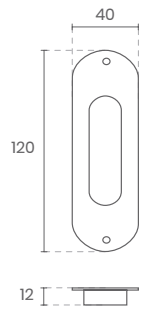
REF \ 15



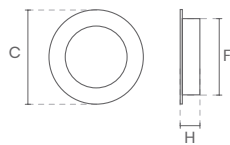
REF \ 13



REF \ 17

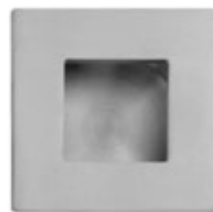
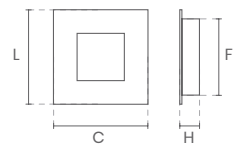


REF \ C10



| REF. | C | H | F |
|--------|----|----|----|
| C10X40 | 40 | 12 | 35 |
| C10X50 | 50 | 15 | 40 |
| C10X60 | 60 | 15 | 51 |
| C10X65 | 65 | 15 | 51 |
| C10X70 | 70 | 16 | 60 |

REF \ C11



| REF. | C | L | H | F |
|--------|----|----|----|----|
| C11X40 | 40 | 40 | 12 | 35 |
| C11X50 | 50 | 50 | 12 | 40 |
| C11X70 | 70 | 70 | 16 | 60 |



REF \ 1263



REF \ 1262



REF \ 7503



REF \ 7504





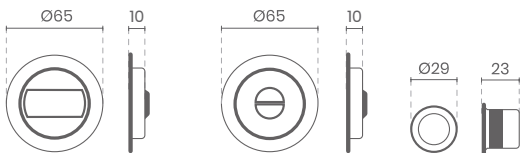
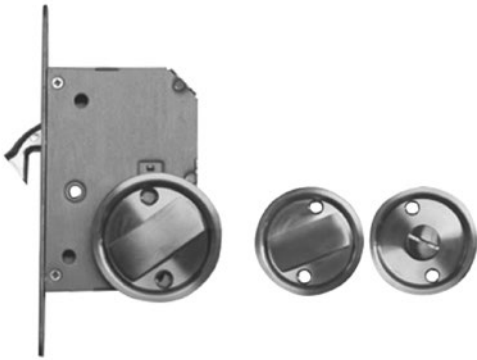
FECHADURAS

LOCKS

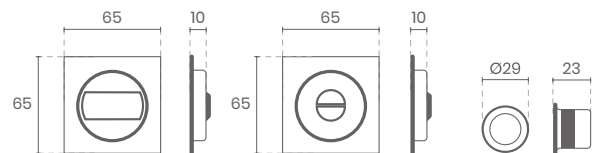
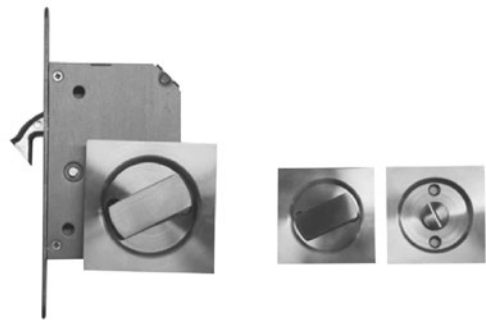
SERRURES



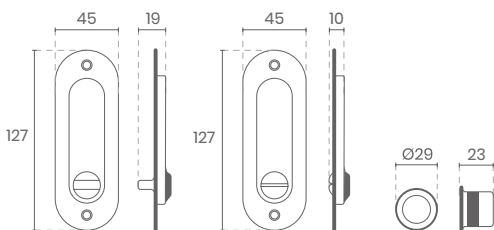
REF \ 5161



REF \ 5162



REF \ 5163



REF \ 5148 \ 5149

